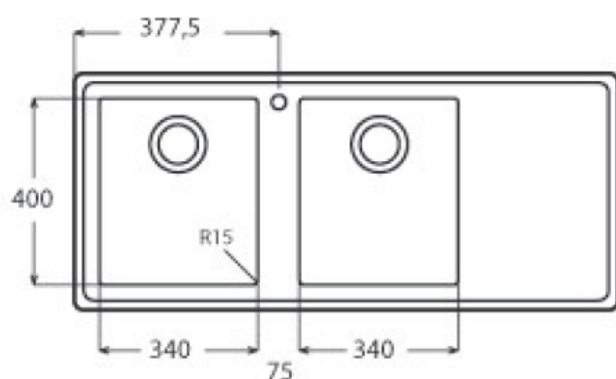




## LNP1162IBC



dimensions	1160x500 mm
depth	215 mm
cut-out size	3,5 "
cabinet size	900 mm
packed in boxes	1270x570x265 mm
weight	10 kg
fitting	thin-edge inset



<b>finish</b>	<b>code</b>
brushed	dx LNP1162IRBC
	sx LNP1162ILBC

DP: 1410x | RP: 1880x