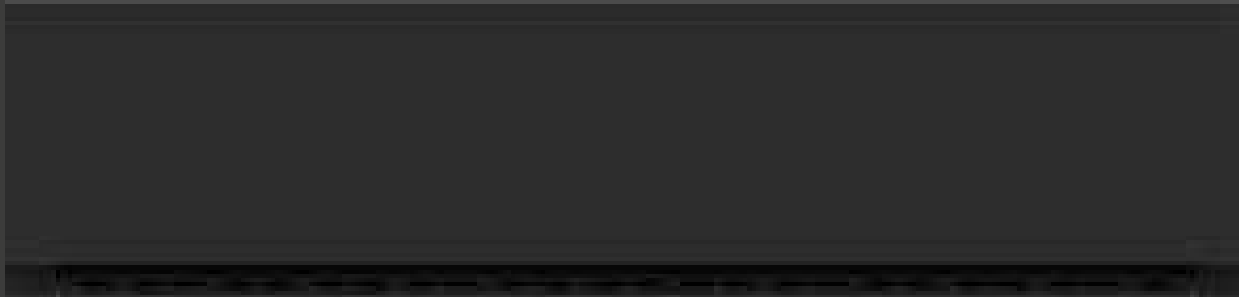


BARAZZA
taste of design

ICON EXCLUSIVE VACUUM SEALER DRAWER built-in

Icon Exclusive built-in vacuum sealer drawer
Touch Control

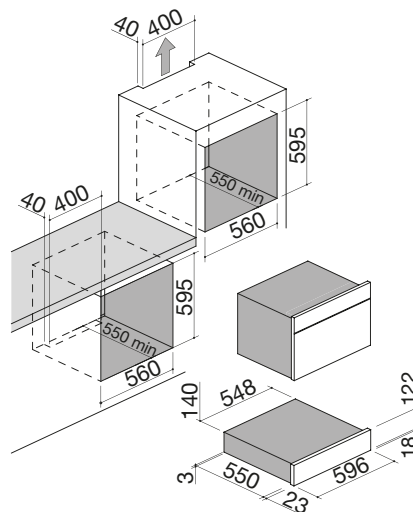


NEW

Accessories:



- functions: 3-level vacuum sealing, 3-level sealing, 3-level vacuum sealing in a container, Chef function to perform marinating, maturation, cold infusion and extraction of essential oils
- digital Touch Control programmer
- motor: oil pump
- features: cover in tempered glass, steel bowl interior, push-pull opening
- equipment: adapter for containers, kit of 50 food storage bags and 50 bags for cooking food, telescopic rails
- maximum absorbed power: 0.24 kW



MATT BLACK STAINLESS STEEL

code 1CSEVEN