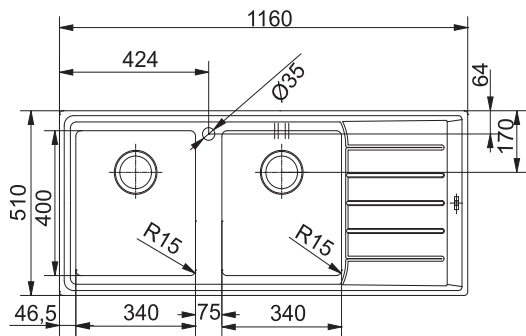


# SPECIFICATION SHEET

## NEPTUNE NPX 621 RHD

PRODUCT FAMILY : SINKS

FINISH: STAINLESS STEEL



### PRODUCT INFORMATION

<b>Article Number</b>	101.0068.377
<b>Opposite Configuration</b>	101.0068.381
<b>Cabinet Size</b>	800 mm (900 if next to the wall)
<b>Waste Outlet Diameter</b>	3 1/2"
<b>Length Overall</b>	1160 mm
<b>Width Overall</b>	510 mm
<b>Length of large bowl</b>	340 mm
<b>Width of large bowl</b>	400 mm
<b>Depth of large bowl</b>	200 mm
<b>Number of Bowls</b>	2
<b>Cutout Length</b>	1140 mm
<b>Cutout Width</b>	490 mm
<b>Cut-Out Template</b>	No
<b>Position of Drainer</b>	Right hand side
<b>Overflow</b>	Yes - Hidden overflow
<b>Waste Kit Included</b>	Yes
<b>Fixing Kit Included</b>	Yes
<b>Siphon Included</b>	Yes
<b>Country of Origin</b>	Italy
<b>Installation Type</b>	Inset
<b>Packaging Type</b>	- Packed in carton box with waste kit, fixing kit and siphon included.

### FEATURES



AISI 304



Inset Installation



Prefixed Sealing



Disposer - Optional

