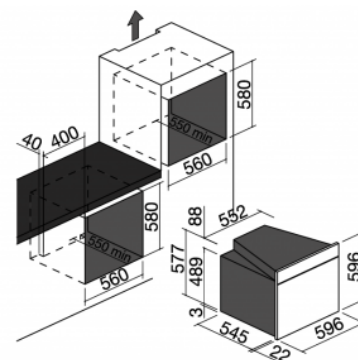


60 cm Unique built-in multifunction oven



- 8 functions + defrost function
- mechanical 90' timer with buzzer at end of cooking time
- capacity: 65 litres
- features: easy-clean oven lining, extractable and removable door with triple heatreflecting glass
- maximum temperature: 250°C
- maximum absorbed power: 2.7 kW



Codes:

VINTAGE STAINLESS STEEL/BLACK OVEN

cod: 1FUNMV

Accessories:

Self-cleaning panels

cod: 1FPA60

Pyrex baking tray

cod: 1TPX

Pizza plate

cod: 1PP60

Kit 3 pairs of telescopic oven rails

cod: 1CE60

Plus:



Tangential Cooling Fan



8+1 manual functions



Cool Door



Design



Easy Clean Oven Lining



Capacity 65 litres