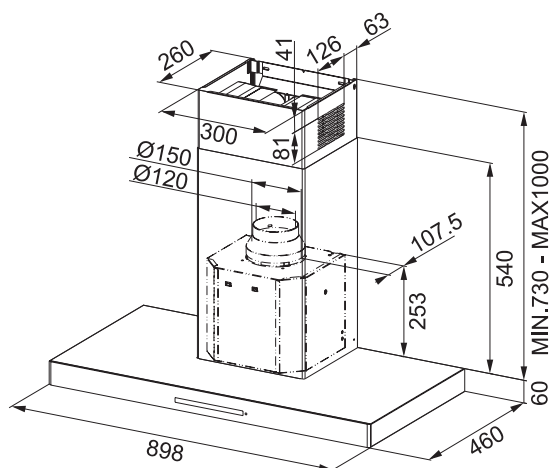


SPECIFICATION SHEET

MYTHOS FCR 925 TC BK XS

PRODUCT FAMILY: HOODS

FINISH: STAINLESS STEEL - BLACK GLASS



PRODUCT INFORMATION

Article Number	110.0361.046
Cabinet Size	90 cm
Speed Levels	3+int.
Control Types	Touch control
Number of Motors	1
Lamp	2 x 1W
Lamp Type	LED
Grease Filter	Stainless steel cassette
Energy Class	A
Country of Origin	Italy
Hood Type	Wall mounted

Note Filter needs to be ordered separately.

Speed	1	2	3	Boost
Capacity point suction IEC (m ³ /h)	290	410	560	690
Power (Watts)	165	215	250	270
Pressure (PA)	440	500	530	550
Noise level dB (A)	51	58	65	69

