

# SPECIFICATION SHEET

## EVO FPJ 925 V BK/SS

PRODUCT FAMILY: HOODS

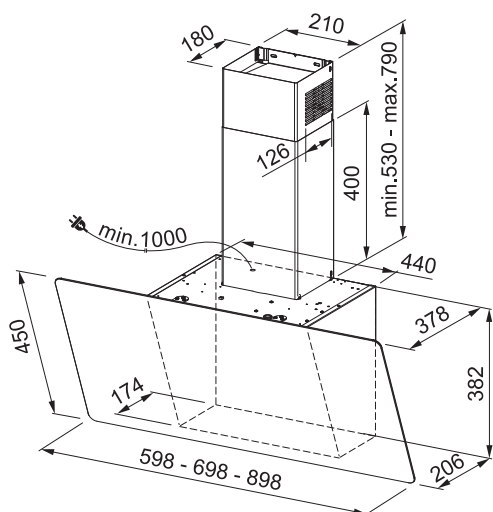
FINISH: BLACK GLASS - STAINLESS STEEL



### PRODUCT INFORMATION

Article Number	330.0528.067
Cabinet Size	90 cm
Speed Levels	3+int.
Control Types	Soft touch
Number of Motors	1
Lamp	2 x 1W
Lamp Type	LED
Grease Filter	Aluminum cassette
Energy Class	A
Country of Origin	Turkey
Hood Type	Wall mounted

**Note** Filter needs to be ordered separately.



Speed	1	2	3	Boost
Capacity point suction IEC (m <sup>3</sup> /h)	280	400	560	700
Power (Watts)	190	230	255	270
Pressure (PA)	420	490	520	530
Noise level dB (A)	52	57	65	69

