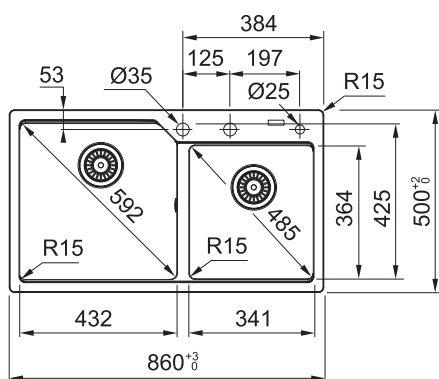


# SPECIFICATION SHEET

## URBAN UBG 620-86

PRODUCT FAMILY: SINKS

FINISH: FRAGRANITE BLACK



### PRODUCT INFORMATION

<b>Article Number</b>	114.0582.291
<b>Cabinet Size</b>	900 mm
<b>Waste Outlet Diameter</b>	3 1/2"
<b>Length Overall</b>	860 mm
<b>Width Overall</b>	500 mm
<b>Length of large bowl</b>	432 mm
<b>Width of large bowl</b>	425 mm
<b>Depth of large bowl</b>	230 mm
<b>Length of small bowl</b>	341 mm
<b>Width of small bowl</b>	364 mm
<b>Depth of small bowl</b>	220 mm
<b>Number of Bowls</b>	2
<b>Cutout Length</b>	824 mm
<b>Cutout Width</b>	464 mm
<b>Cut-Out Template</b>	No
<b>Overflow</b>	Yes - Round overflow
<b>Waste Kit Included</b>	Yes
<b>Fixing Kit Included</b>	Yes
<b>Siphon Included</b>	Yes
<b>Country of Origin</b>	Slovakia
<b>Installation Type</b>	Inset
 <b>Packaging Type</b>	 - Packed in carton box with waste kit, fixing kit and siphon included.

### FEATURES



Sanitized



Fast fix



Rotating Waste - Optional

