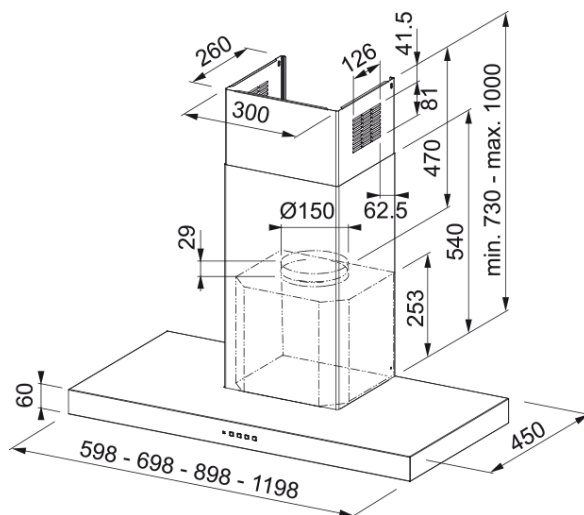


# HOOD FDF EV8 90 BK/2 FRANKE | 325.0599.574



Format 45 BK 90 FDF EV8 90 BK Black, Wall Mounted Hood, 90cm wide, Push Button controls with 2 x LED lights. NB Separate Charcoal Filter required if fitting hood in recirculatory mode. Effective performance deserves a professional shape. These Franke Format T- Shape Hoods have a powerful motor that can extract all the odours from your hob efficiently, even at the lowest setting.

## Product Information

Hood category	T-Shape
Finish	Black

## Dimensions

Width in mm	900.0
Diam. air outlet	150

## Energy specifications

Plug type	No plug
Annual energy consumption AEC	73.1
F. dynamic efficiency class	B
Light Efficiency Class	A
Grease filtering efficiency cl	C
Motor voltage	220-240V 50-60Hz
Motor Gr comm.name	SP 800
Number of motor	1

## Installation

Installation	Wall
--------------	------

## Product specifications

Air quality sensor	No
Energy efficiency class	B

## Product Identification

Product brand	FRANKE
Product family	Smart
Model range	FORMAT

## Properties

Number of lamp	2
Lamp type	Led S1001 4000K

Remote control	No
Waterproof	No
UI type	Push button
Speed number	3+i
Speed setting	No
24H	No
Delay	No
Sensor self start	No
WI-FI	No
Filter typology	Cassette
Type of filter	Stainless steel
Charcoal filter	No

### Performance

Speed	1	2	3	BOOST
Flow (m <sup>3</sup> /h)	290.0	460.0	610.0	710.0
Press. Max (Pa)	390.0	470.0	530.0	540.0
Power (Watt)	130.0	165.0	210.0	250.0
Noise level (dBA)	50.0	59.0	66.0	69.0