

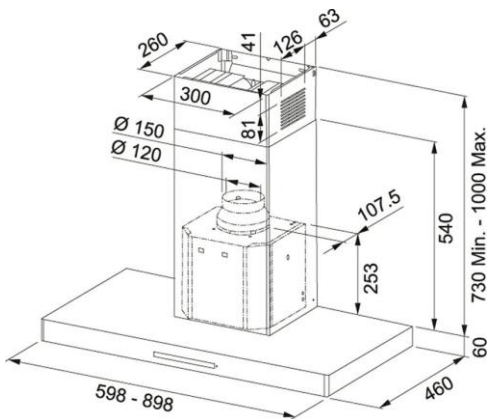
# SPECIFICATION SHEET

## FCR 925 TC BK/XS NG NP/2

PRODUCT FAMILY: **HOODS**

FINISH: **STAINLESS STEEL**

INSTALLATION: **WALL**



### PRODUCT INFORMATION

<b>Article Number</b>	325.0654.378
<b>Speed Levels</b>	3+int.
<b>Hood Width</b>	900 mm
<b>Control Type</b>	Soft Touch
<b>Lamp</b>	2 x 1W
<b>Lamp Type</b>	LED
<b>Grease Filter</b>	Stainless steel cassette
<b>Charcoal Filter</b>	Yes
<b>m<sup>3</sup>/h max.</b>	580 m <sup>3</sup> /h
<b>m<sup>3</sup>/h min.</b>	300 m <sup>3</sup> /h
<b>Min. noise (dbA)</b>	52 db(A)
<b>Max. Noise (dbA)</b>	66 db(A)
<b>Energy Class</b>	A+
<b>Country of Origin</b>	Italy