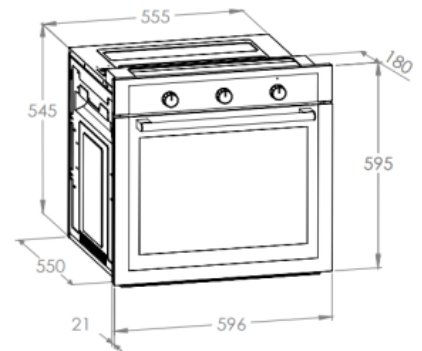
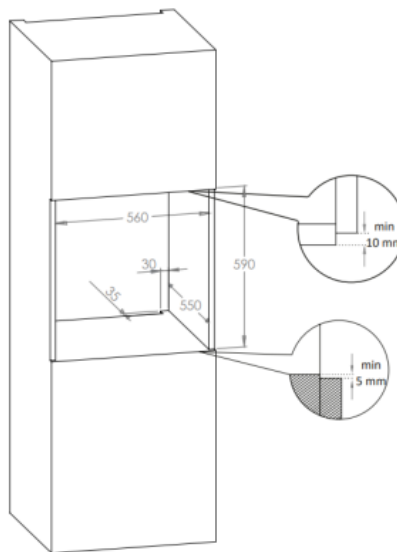


## MATRIX OVEN

Code: MT OV EL 60 14F BG



product dimension (W*H)	60*60 cm
control panel height	96mm
Cavity size(L)	80L
Voltage	220-240 volts, 50/60 Hz
Energy efficiency rate	A+
Cooking Temperature range °C	30°C-250 °C
Function Description	<b>13 functions+ 7 Airfry auto menus</b> Lamp, Conventional, Radiant heat, Double grill , Double grill + fan, Bottom heat/Bake, Conventional + Fan ,Convection, Pizza, Defrost , ECO, fermentation, Airfry
Controller	Touch+TFT
Display Color	TFT
Maximum Cooking Time	9 hours
Door glass	2
Cavity Lamp	<b>2</b>
Cavity color	Black Ceramic
Cavity	Flat cavity with side racks
Power	1*lamp: 25W (2 lamp is optional) Top Heater: 900W, Bottom Heater:1070W, Top infaire Heater:1370W, convection:1070W
Accessory	1 shawllow tray, 1*grill rack, <b>1 airfry basket</b>
Product size(W*D*H,mm)	595*565*595
Loading quantity(20'/40'40HQ)	81/162/216