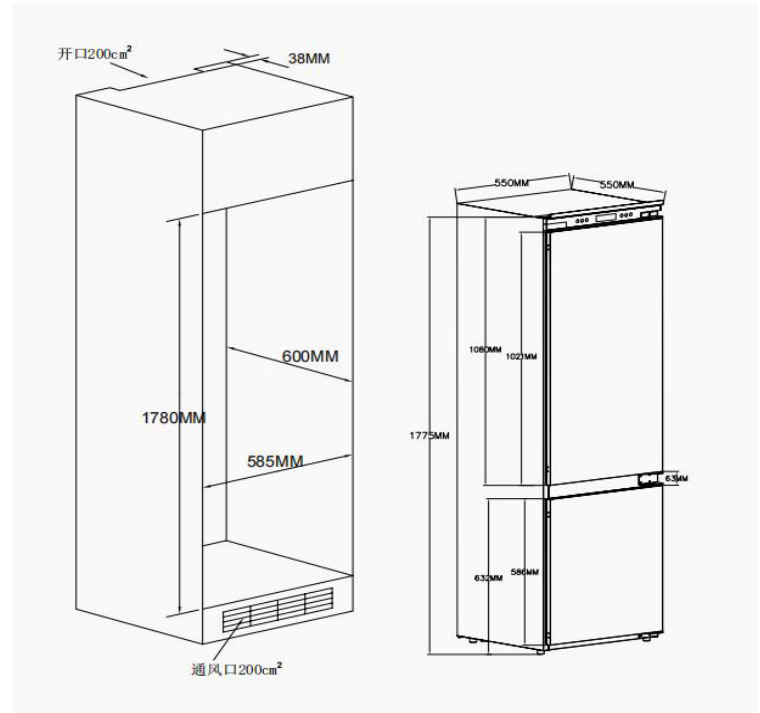


BUILT-IN COMBI REFRIGERATOR

CODE : BI CF NF 60 DCM



TECHNICAL DRAWING



FEATURES

- Power supply: 220V / 50Hz
- Refrigerant: R600a
- Compressor type cooling
- Cabinet color: White
- Door: White solid door
- Climate class: T
- Plug type: BS plug
- 1 wire rack
- 2 glass shelves
- 4 drawers
- Triple zone
- White top interior light
- Total capacity: 260 L
- Fridge capacity: 187 L
- Freezer capacity: 73 L
- Technical Data
- Refrigerant type: R600a
- Refrigerant amount: 60 g
- Rated voltage: 220 V
- Rated frequency: 50 Hz
- Power input: 150 W
- Rated current: 1.5 A
- Weight
- Net weight: 63.5 kg
- Gross weight: 69 kg
- Dimensions
- Product dimensions (WxDxH): 550 x 550 x 1787 mm