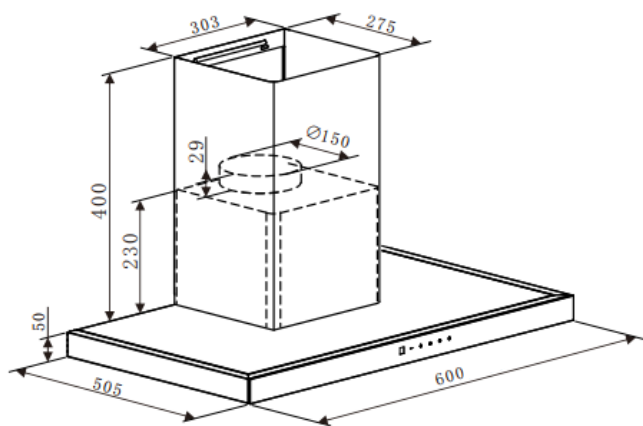


WIND Hood 60cm

CODE : WN 60 BK

TECHNICAL DRAWING



FEATURES

- **Black Body + black tempered glass panel**
- **700m³/h & 220W motor**
- **3 Speeds touch control**
- **1 X 1.5W LED Light**
- **2 *Al filters**
- **Chimney Black with 1*400 MM height**
- **BS plug**